



**FOR OPTICAL
APPLICATION**



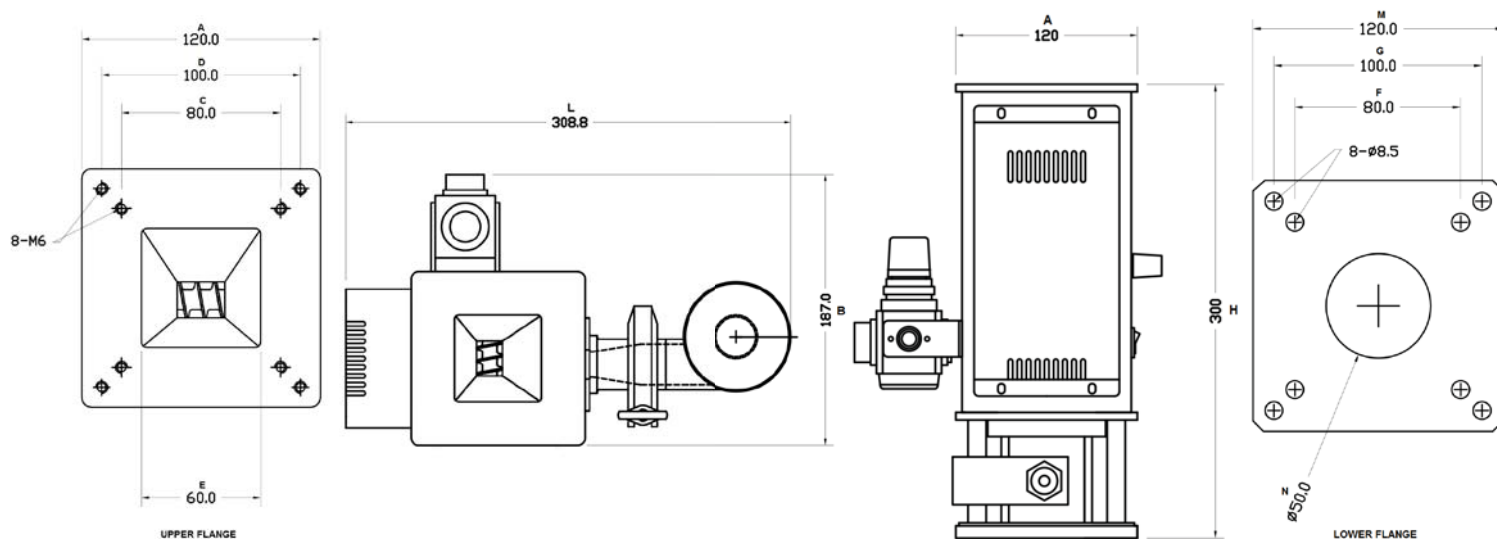
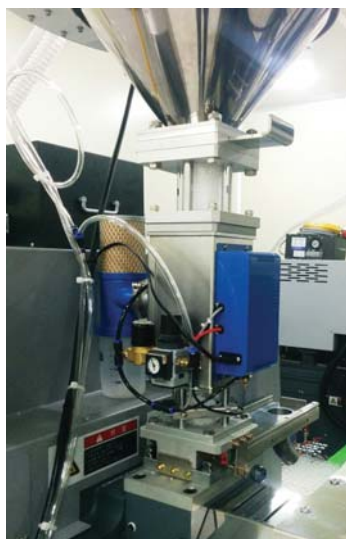
The new VISMEC DS30 dust remover is a device which removes dust from the plastic resin by using static electricity and guarantees a perfect quality on the final product. This is an innovative close loop system with which dust and contaminates stick on the electrostatic charged drum removing them from the virgin resin. Before hand an ionizer removes the electrostatic left on the virgin material allowing the separation to take place. Dust doesn't polymerize therefore if present creates impurity spots on the product. This Vismec dust remover is therefore a must have for high tech and quality production and perfect for lens, medical and high precision applications.

Main features

- Closed design maintain the temperature of resin.
- No compressed air on resin, no effect of humidity.
- Not material loss, only dust.
- Speed control.
- Sight glass allows good visibility of the working conditions.
- Cartridge discharge filter.
- Only a small compressed air requirement to detach dust from the roller.



application examples



Dimensions

A	B	C	D	E	F	G	H	L	M	N
mm	mm	mm	mm	mm	mm	mm	mm	mm	mm	mm
120	187	80	100	60	80	100	300	308,8	120	60

Technical specifications

Model	Capacity	Dust removing rate	Power (Consumption)	Air consumption (bar)	Fixing upper holes	Fixing lower holes	Weight	Regrind
DR 15	15 kg/h (max)	80~95%	220 V (20W)	20~30 Liter/min. (4~6 bar)	8 x M6	8 x M8.5	5 kg	NO
DR 30	40 kg/h (max)	80~95%	220 V (20W)	20~30 Liter/min. (4~6 bar)	8 x M6	8 x M8.5	5 kg	YES
DR 40	80 kg/h (max)	80~95%	220 V (20W)	20~30 Liter/min. (4~6 bar)	8 x M6	8 x M8.5	5 kg	YES