



Vismec STORAGE BINS are suitable for granulated plastic material storage, conveying and handling.

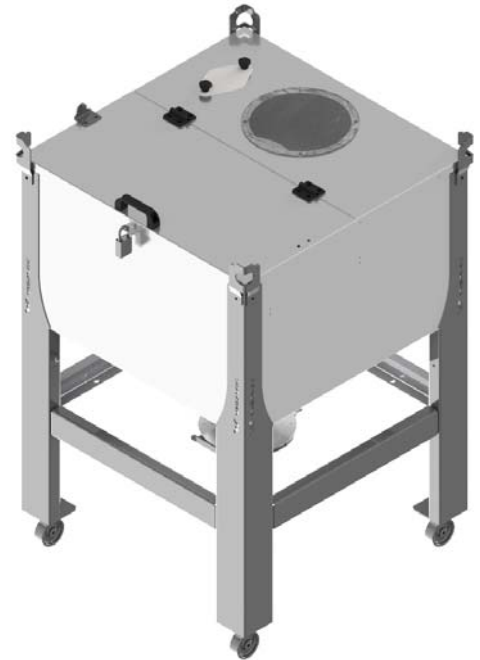
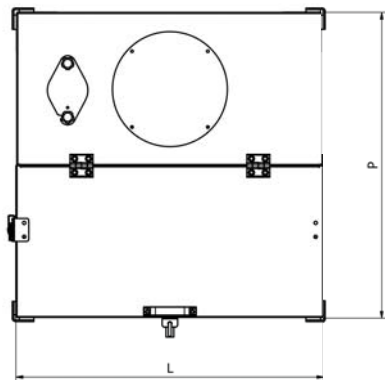
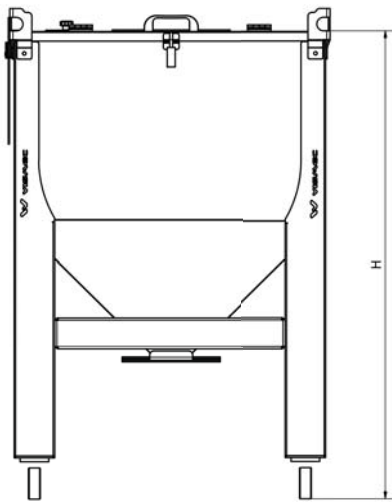
## Main features

- Their exclusive form allows a lower obstruction.
- Stainless steel tank totally welded to easy cleaning operations.
- Strong frame for heavy duty.
- Manual or automatic loading.
- Padlock locking system.
- Integrated lifting eyebolts.
- Lid's rollover protection system.
- From 300 to 600 liters, the lid is divided in two parts: a fixed for the positioning of a receiver and a probe, and the other for the inspection and the bag's emptying.
- Also available with 2 suction valves.
- Also available with bag-breaker screen (optional).



## Technical specification and dimensions - Storage bins

Model	Code	H mm	P mm	L mm	Weight
100 Liters	01252	-	-	-	-
200 Liters	01515	1098	722	722	77 kg
300 Liters	01516	1203	822	822	79 kg
400 Liters	01517	1285	922	922	95 kg
600 Liters	01969	1449	1022	1022	125 kg



## Application example - Storage bins



600 liters storage bin



safety closing



bag-breaker screen