



Vismec CYLINDRICAL STORAGE BINS are suitable for granulated plastic material storage, conveying and handling.

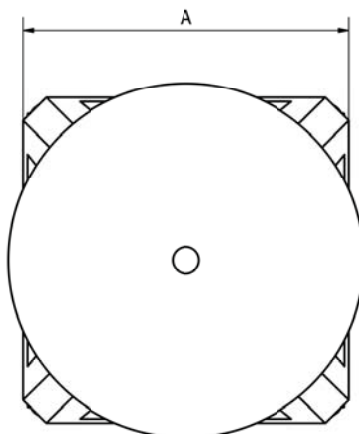
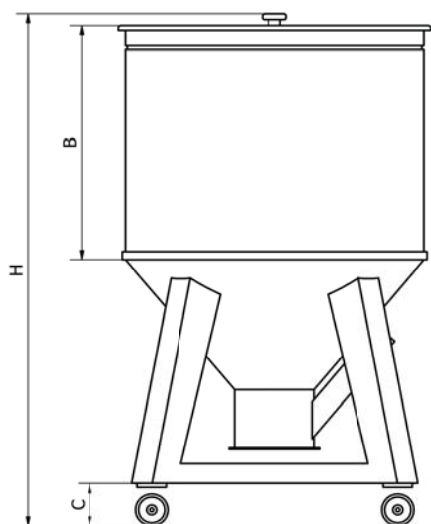
Main features

- Modular structure, completely made in stainless steel.
- Wheels with brake.
- Discharge gate.
- Tube for the insertion of suction probe.
- Bag discharger screen (optional).
- Closing lid.



Dimensions and technical specifications - Cylindrical storage bins

Model	Code	A mm	B mm	C mm	H mm	Capacity (dm ³)	Weight
100 Liters	03385	540	480	140	933	100	15 kg
200 Liters	03386	570	625	140	1211	200	20 kg
350 Liters	03387	750	625	140	1290	350	40 kg
800 Liters	03388	830	570	200	1851	800	80 kg



Application example - Cylindrical storage bins



200 LITERS BIN



DISCHARGE GATE



SUCTION PROBE



BAG DISCHARGER SCREEN